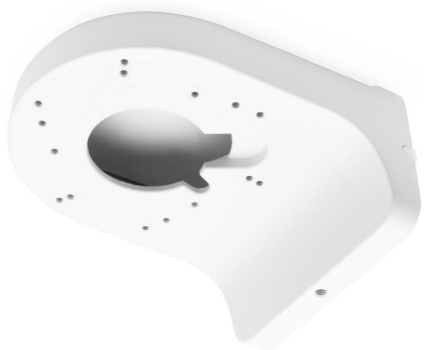


# MNT-IPMINIDOME-WALL-V2

Waterproof Wall mount bracket

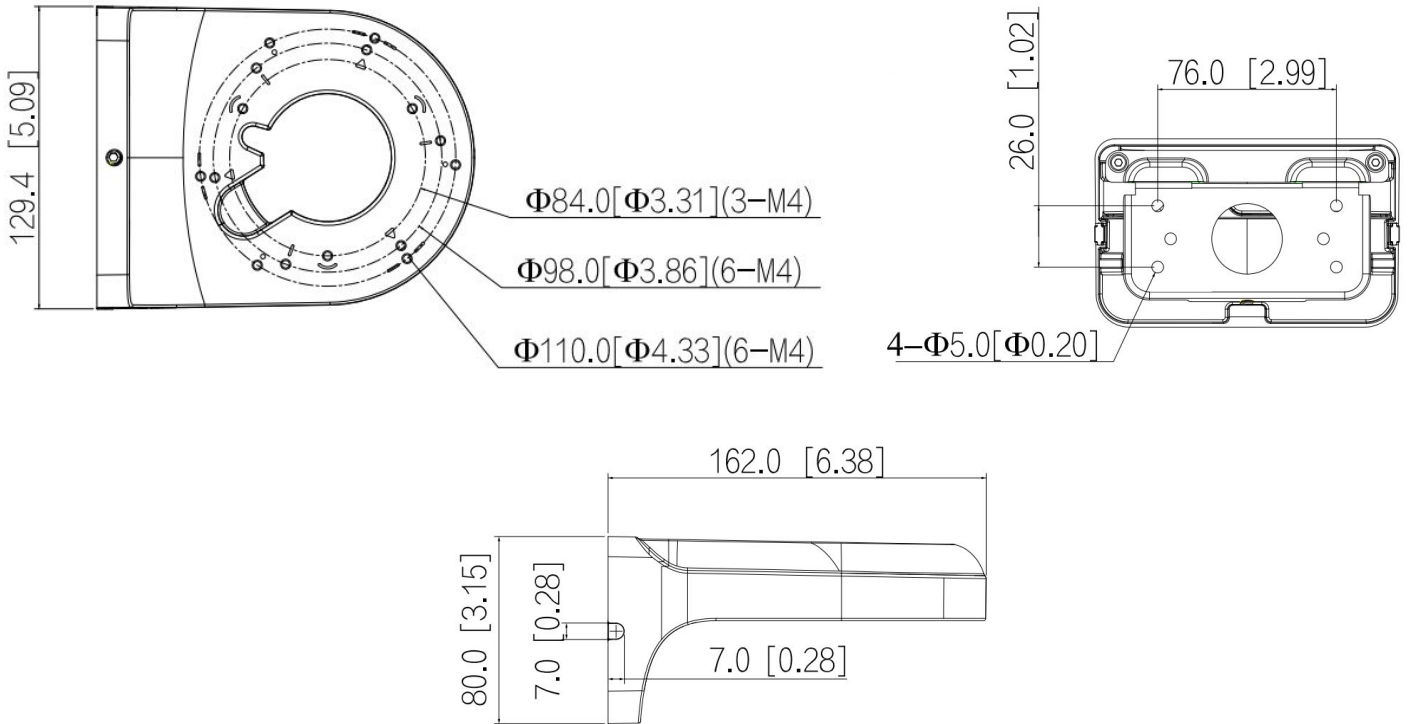


- Aesthetic design
- Material: Aluminum & SECC
- Waterproof wall mount bracket

## Technical Specification

|                            |   |
|----------------------------|---|
| Model                      | MNT-IPMINIDOME-WALL-V2                                |
| <b>Physical Properties</b> |   |
| Material                   | Aluminum & SECC                                       |
| Installation               | Wall mount  |
| Dimension(W xH xD)         | 6.38" × 5.09" × 3.15" (162.0 mm × 129.4 mm × 80.0 mm) |
| Net Weight                 | 1.06 lb (0.48 kg)                                     |
| Gross Weight               | 1.23 lb (.56 kg)                                      |
| Load Bearing               | 2.20 lb(1 kg)   |
| Color                      | White   |
| Operating Temperature      | -40°F~140°F (-40°C~60°C)                              |
| Humidity                   | <90% RH   |

Dimensions (mm/in)



Application

